

This article was downloaded by:

On: 24 January 2011

Access details: *Access Details: Free Access*

Publisher *Taylor & Francis*

Informa Ltd Registered in England and Wales Registered Number: 1072954 Registered office: Mortimer House, 37-41 Mortimer Street, London W1T 3JH, UK



Journal of Macromolecular Science, Part A

Publication details, including instructions for authors and subscription information:

<http://www.informaworld.com/smpp/title~content=t713597274>

Polysulfone-Polydimethylsiloxane Block Copolymers Containing Si-O-C Bonds

V. Hamciuc^a; D. Giurgiu^a; M. Marcu^a; E. Butuc^a; C. Ionescu^a; L. Pricop^a

^a Institute of Macromolecular Chemistry "P.Poni", Iasi, Romania

To cite this Article Hamciuc, V. , Giurgiu, D. , Marcu, M. , Butuc, E. , Ionescu, C. and Pricop, L.(1998) 'Polysulfone-Polydimethylsiloxane Block Copolymers Containing Si-O-C Bonds', *Journal of Macromolecular Science, Part A*, 35: 4, 563 – 575

To link to this Article: DOI: 10.1080/10601329808001997

URL: <http://dx.doi.org/10.1080/10601329808001997>

PLEASE SCROLL DOWN FOR ARTICLE

Full terms and conditions of use: <http://www.informaworld.com/terms-and-conditions-of-access.pdf>

This article may be used for research, teaching and private study purposes. Any substantial or systematic reproduction, re-distribution, re-selling, loan or sub-licensing, systematic supply or distribution in any form to anyone is expressly forbidden.

The publisher does not give any warranty express or implied or make any representation that the contents will be complete or accurate or up to date. The accuracy of any instructions, formulae and drug doses should be independently verified with primary sources. The publisher shall not be liable for any loss, actions, claims, proceedings, demand or costs or damages whatsoever or howsoever caused arising directly or indirectly in connection with or arising out of the use of this material.

POLYSULFONE-POLYDIMETHYLSILOXANE BLOCK COPOLYMERS CONTAINING Si-O-C BONDS

Viorica Hamciuc, * Diana Giurgiu, Mihai Marcu,
Elena Butuc, Catalin Ionescu, and Lucia Pricop
Institute of Macromolecular Chemistry "P.Poni"
Aleea Gr. Ghica Voda 41A
6600 Iasi, Romania

Key Words: Polysulfone, Polydimethylsiloxane, Copolymers, Hydrosilylation, Polycondensation

ABSTRACT

Polysulfone-polydimethylsiloxane block copolymers containing Si-O-C bonds were synthesized through the condensation reactions of α,ω -di(hydrogensilyl)polydimethyl-siloxane and α,ω -di(chlorosilyl) polydimethylsiloxane oligomers with hydroxy-terminated polysulfone, in solution.

The synthesized compounds were characterized using IR, $^1\text{H-NMR}$ and $^{13}\text{C-NMR}$ spectrometry, GPC and DSC analysis. All data agree with the proposed structures.

INTRODUCTION

Various methods have been previously employed in order to synthesize multiphase perfectly alternating polysulfone-polydimethylsiloxane (PSF-PDMS) block copolymers [1-2].

The silylamine or hydride functionalized polydimethylsiloxane oligomers and polyethersulfone, with mutually reactive end groups by condensation or hydro-

silylation reactions, are usually used to prepare the desired copolymers having Si-O-C [3-7] and Si-C [8-10] intersegment linkages, respectively. Our recent reports [10] have described the synthesis of PSF-PDMS block copolymers with alternating $(AB)_n$ structure and Si-(CH₂)₃- linkages via platinum catalyzed hydrosilylation reaction and by condensation of chloro-terminated polysulfone and α,ω -di(hydrogensilyl)-PDMS [11].

The poor hydrolytic stability of the Si-O-C bond was not evidenced for (PSF-PDMS) block copolymers of higher molecular weight segments [3, 6]. This was attributed to the random occurrence of Si-O-C linkages along the polymer backbone and the shielding of these linkages by hydrophobic PDMS segments [12]. The aim of this work was to find a new synthetic route to prepare strictly controlled alternating PSF-PDMS block copolymers with Si-O-C intersegment linkages, potentially improved hydrolytic and thermostability based on condensation reactions of hydroxy-telechelic polysulfone with more available difunctional silylchloride- and silylhydridedimethylsiloxane oligomers.

The obtained PSF-PDMS block copolymers with Si-O-C linkages are soluble in 1,2-dichlorobenzene, chloroform, THF. They were characterized by molecular weight (GPC), reduced viscosity (RV), IR, ¹H-NMR, ¹³C-NMR, TGA and DSC analysis.

EXPERIMENTAL

Measurements

Number-average molecular weights (M_n), weight-average molecular weights (M_w) and molecular weight distributions were determined using a Gilson HPLC system (UV-detector; Gilson Medical Electronics Inc. Middleton, WI). THF at 1 ml/min flow rate and two Zorbax PSM-S (DuPont) bimodal columns calibrated for polystyrene standards were used to perform separation.

The reduced viscosities (RV) for precursors PSF oligomers and block copolymers were determined in dichloroethane 0.2 g/dL solution at 25°C on an Ubbelohde viscometer. IR absorption spectra were obtained on a Perkin-Elmer 577 Spectrometer using KBr pellets. ¹H-NMR and ¹³C-NMR were performed on a AC-80-Bruker Spectrometer with TMS as internal standard.

Differential scanning calorimetry (DSC) curves were recorded on a Perkin-Elmer 7 Thermal Analysis System for a temperature range of -130°C to 220°C using 5 to 7 mg of samples, at a heating rate of 20°/min under N₂. DTA and DTG

analysis were registered on a MOM Paulik-Paulik-Erdey derivatograph within a 20–600°C temperature range, in air, with 12°/min heating rate.

Materials

4,4'-Dichlorodiphenyl sulfone (Aldrich) was recrystallized from toluene. 2,2-Bis(4-hydroxyphenyl)propane (Bisphenol A, Fluka), was used as received. Dichloroethane and chlorobenzene (PhCl, Aldrich) were purified by fractional distillation under reduced pressure and dried over a type 4A molecular sieve. 1-Methyl-2-pyrrolidone (NMP, Aldrich) was vacuum distilled over phosphorus pentoxide. Dichlorodimethylsilane 99% purity (Fluka) was used as received. Octamethylcyclotetrasiloxane (D₄) and 1,1,3,3-tetramethyldisiloxane 97% purity was vacuum redistilled. Styrene divinylbenzene sulfonic acid copolymer (VIONIT CS-34C) was dried in vacuum at 90°C for 3% w/v water content. Piperidine was vacuum distilled over NaOH pellets and dibutyltin dilaurate was used as received.

Synthesis of α,ω -Di(hydrosilyl)polydimethylsiloxane (HPDMS)

Si-H ended polydimethylsiloxane oligomers (HPDMS) of desirable molecular weights were obtained by the “equilibration” reaction of organocyclo-siloxanes (D₄) with 1,1,3,3-tetramethyldisiloxane (TMDS) using VIONIT CS-34C (2–3%) H-form catalyst with water content of 3% w/v [13]. The HPDMS were characterized by molecular weights (viscosimetric, GPC and Si-H end groups analysis) as presented in Table 1.

Synthesis of α,ω -Di(chlorosilyl)polydimethylsiloxane (CIPDMS)

Dichlorosilyl ended polydimethylsiloxane (CIPDMS) oligomers were synthesized by the equilibration reactions of octamethylcyclotetrasiloxane (D₄) with 1,1,3,3-tetramethyl-1,3-dichlorodisiloxane (CITMDS), as end capped, in the presence of a 2–3% dried copolymer styrene divinylbenzene sulfonic acid (VIONIT CS-34C), as catalyst under stirring for 2^{1/2} hours at 90°C. The products were characterized by molecular weights and end groups analysis (Table 1). Mn were determined by Si-Cl reactive end groups analysis [14] and GPC.

Synthesis of α,ω -Hydroxy-terminated Polysulfone (PSF)

Hydroxy-terminated polysulfone (PSF) oligomers were synthesized from the polycondensation of 4,4'-dichlorodiphenylsulfone and 2,2-bis(4-hydroxyphenyl)propane (Bisphenol A) in excess in anhydrous NMP promoted by the action of K₂CO₃ [15]. Their characteristics are listed in Table 2.

TABLE 1. Characteristics of X-terminated PDMS (X = H, Cl)

Sample code	X Content, %		Mn ^a	Mn ^b	Mn ^c	Mw ^c	Mw/Mn	η^{25} (cSt)
	H	Cl						
PDMS-H	0.067	-	3000	1245	1800	3440	1.91	21
PDMS-Cl		1.865	3800	5900	3100	5200	1.67	64

a - Mn based on end groups data (Si-H and SiCl endgroups were determined by analytical quantitative methods [14])

b - Mn based on viscosimetry data

c - GPC data

TABLE 2. Characteristics of PSF

Sample	Mn ^a	Mn ^b	Mw ^b	Mw/Mn	RV ^c	m.p. ^d (°C)
PSF-1	5000	3000	13300	4.43	0.014	149-160
PSF-2	7600	4800	15400	3.19	0.118	165-170
PSF-3	10700	2700	13000	4.81	0.163	180-200
PSF-4	14650	5700	24100	4.22	0.217	191-210
PSF-5	18700	6800	61200	9.0	0.259	214-220

a- Mn based on viscosimetry data was calculated using the following expression:

$$[\eta] = 3.685 \times 10^{-4} \times M^{0.656}, \text{ in solvent } C_2H_4Cl_2.$$

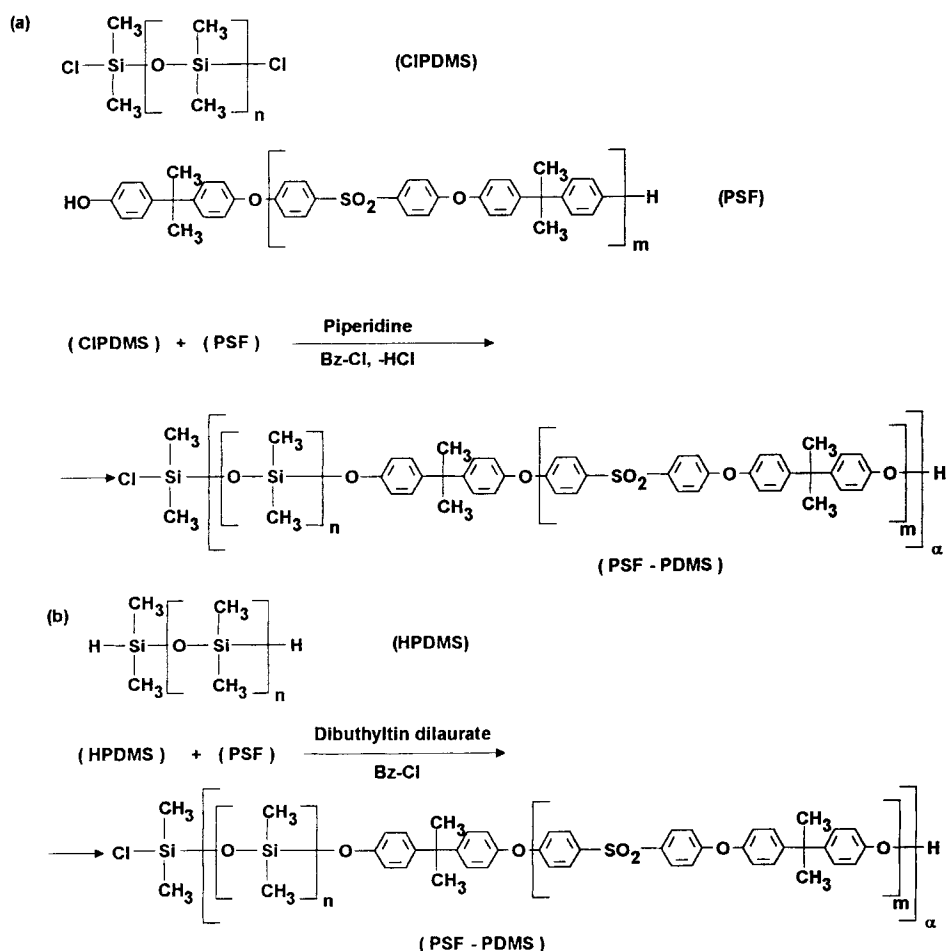
b- Mn, Mw were determined using GPC data in THF.

c- 0.2 g/dL solution in DMF

d- m.p. were measured with a Gallenkamp hot block melting-point apparatus.

Synthesis of Polydimethylsiloxane-Polysulfone Block Copolymers (PSF-PDMS)

The PSF-PDMS block copolymers were synthesized from the condensation reactions of hydroxy-terminated PSF oligomers with hydrogen or chloro-terminated PDMS in dry 1,2-dichlorobenzene, catalyzed by dibutyltin dilaurate (1b) or piperidine (1a) (Scheme 1). The polysulfone was dehydrated by azeotropic



Reaction Scheme (1)

distillation before addition of the siloxane oligomers. The method is outlined as follows: a) 4g (0.37 mmole) of hydroxy-terminated PSF oligomer were charged along with 50 cm³ of dry PhCl to a 250 ml reaction flask fitted with a dry nitrogen inlet, a mechanical stirrer, a thermometer, an addition funnel and Dean-Stark trap. The content of the reaction flask was heated, with stirring, until dissolution of the PSF was complete and a slow reflux was established. 10 cm³ PhCl were then distilled off to complete dehydration of the system, and the temperature was adjusted to 90°C. 2 ml piperidine were added to the reaction flask. The system was then heated to 130°C, and 1.5g (0.39 mmole) of dichloro-terminated polydimethyl-

siloxane ($M_n = 3800$) were added through the addition funnel in steadily decreasing increments over 150 min. in order to approach the stoichiometric end point gradually. After addition of the PDMS oligomer was complete the mixture was heated for a further 2 hours. The mixture was filtered to remove the piperidine chloride hydrate. The solvent was then removed by heating the reaction mixture under vacuum to yield crude copolymer. The block copolymer was purified by removing of the unincorporated siloxane using an extensive extraction with petroleum ether in a Soxhlet extractor. The resulting product is a fluffy white-yellow polymer, soluble in several organic solvents. The characteristics of the synthesized block copolymers are listed in Table 3. b) The α,ω -di(Hydrogensilyl)polydimethylsiloxane (HPDMS) was used in the condensation reactions with hydroxy-terminated PSF oligomers in presence of dibutyltin dilaurate, as catalyst.

Into a 250 ml round bottom flask, equipped with a thermometer, nitrogen gas inlet, mechanical stirrer and dropping funnel, were placed 3.6g (0.72 mmole) of hydroxy-terminated PSF ($M_n = 5000$) and 50 mL chlorobenzene (PhCl). The mixture was heated and 10 ml PhCl - H₂O azeotrope was distilled.

The temperature of the system was adjusted to 90-100°C and 1g dibutyltin dilaurate was added. Then, the system was heated at 130°C, and stirred for 24 hours. The complete conversion of Si-H groups to Si-O-C linkages is controlled by the IR spectra of the reaction mixture. Then, the solvent was removed by heating the reaction mixture under vacuum to yield copolymer. The unreacted silicone was rigorously extracted with petroleum ether (30-60°C) in a Soxhlet extractor. Finally, the product is a soluble polymer in the several organic solvents. The characteristics of the synthesized block copolymers are listed in Table 3.

RESULTS AND DISCUSSION

Two condensation reactions were developed for synthesis of PSF-PDMS block copolymers concerning the different end groups of the PDMS oligomers, as shown in Scheme 1a and 1b. The hydroxy-telechelic polysulfone oligomers can be reacted either with Si-Cl ended PDMS in a 1:1 molar ratio, in solution in presence of piperidine as HCl acceptor, either by Si-H ended PDMS catalyzed by dibutyltin dilaurate. Similar (AB)_n structures of PSF-PDMS block copolymers with perfectly alternating and well-defined polysulfone and siloxane blocks were obtained in both reactions.

The molecular weight of the siloxane precursors chlorosilyl- and hydrogensilyl-ended PDMS were controlled by the D₄/TMDS and D₄/CITMDS ratio,

TABLE 3. The Characteristics of the Synthesized Block Copolymers

Sample	Block size		Siloxane ^a % (mole)	PSU ^a % (mole)	Mw (GPC)	Mn (GPC)	Mw/Mn	RV ^b	Tg ^c	
	PSF	PDMS							PSF-PDMS	PSF
1	5000	3000 ^e	36.48	63.55	15600	5400	2.89	0.1359	-123, 164	164
2	7600	3000	11.82	88.16	10500	3600	2.92	0.0909	-123, 170	168
3	10700	3000	6.26	93.73	13500	3300	4.09	0.0882	-123, 173	170
4	14650	3000	5.62	94.36	20900	10200	2.05	0.1158	-123, 176	173
5	18700	3000	24.96	75.02	-	-	-	0.1144	-123, 175	180
6	5000	3800 ^d	44.38	55.64	14000	3600	3.89	0.1366	-122, 165	164
7	7600	3800	18.32	81.66	15000	4900	3.06	0.1827	-122, 148	168
8	10700	3800	38.03	61.95	-	-	-	0.1167	-122, 152	170
9	14650	3800	28.44	71.54	16200	5200	3.12	0.1917	-122, 168	173
10	18700	3800	13.03	86.95	47400	6000	7.9	0.4251	-122, 182	180

a - from ¹H - NMR spectra;

b - 0.2 g/dL solution in dichloroethane at 25°C;

c - PDMS, H - reactive end groups;

d - PDMS, Cl - reactive end groups;

e - Tg from DSC data (run II).

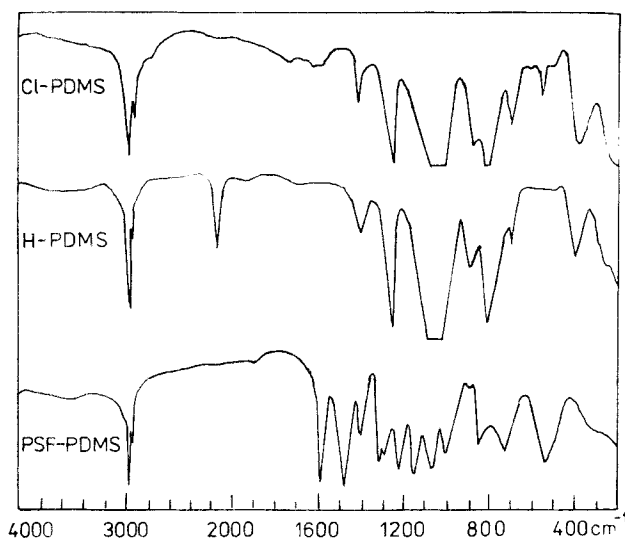


Figure 1. IR spectra of Cl-PDMS oligomers and PSF-PDMS block copolymers.

respectively. The average molecular weight M_n of the siloxane oligomers was determined by GPC and end groups analysis and are presented in Table 1. Homologous series of hydroxy-telechelic polysulfone oligomers with different molecular weights ($M_n = 5000-20000$) were prepared from 4,4'-dichlorodiphenylsulfone with a calculated excess of 2,2-bis(4-hydroxyphenyl)propane. The characteristics were presented in Table 2. The characteristics of synthesized PSF-PDMS block copolymers are presented in Table 3. The products of both reactions were established by a variety of techniques to be $(AB)_n$ block copolymers with Si-O-C linkages along the polymer backbone and not a simple physical blend.

The IR spectra of PSF-PDMS block copolymers showed a complete conversion of the Si-H and Si-Cl end groups to Si-O-C linkages between the siloxane and polysulfone segments by the disappearance of the characteristic absorption bands for Si-H at 2120 cm^{-1} , respectively for Si-Cl at 585 cm^{-1} and 520 cm^{-1} and the presence of a characteristic band for Si-O-C at 965 cm^{-1} and a large band at $1100-1000\text{ cm}^{-1}$ for the Si-O-Si linkages, which are not present in the IR spectra of PSF oligomers (Figure 1).

Compositional and structural composition information on the PSF-PDMS block copolymers was obtained using the $^1\text{H-NMR}$ and $^{13}\text{C-NMR}$ analysis. By $^1\text{H-}$

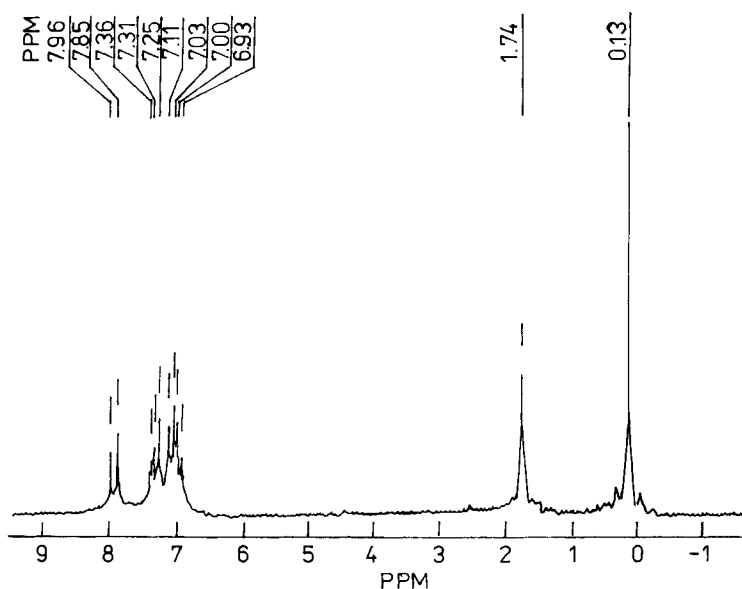


Figure 2. ^1H -NMR spectra of PSF-PDMS block copolymer.

NMR analysis was determined the composition and the relative block size of the block copolymers from the ratio of the peak intensities of PDMS methyl proton resonance at 0.13 ppm and the aromatic protons of the PSF at 7.95-6.93 ppm (Figure 2). The expected $(\text{AB})_n$ structure was also confirmed. The ^{13}C -NMR spectrum of PSF-PDMS block copolymers is shown in the Figure 3. This spectrum has been used to identify the peaks of the methyl Si-methylcarbon atoms and the Si-O-phenyl carbon atoms. The carbon atoms of the Si-O-Ph at the end of the block copolymer resonate apart from internal blocks. The molecular weights of the precursors oligomers and block copolymers PSF-PDMS were determined using GPC analysis. Molecular weight distribution was found to be monomodal and not bimodal as might be expected for a mixture of two oligomers (Figure 4).

Differential scanning calorimetry (DSC) was used to investigate the microphase separation in the block copolymers. The PSF-PDMS block copolymers appear to display a two-phase morphology (Figure 5). This is to be expected as the tendency for microphase separation in a block copolymer which is directly proportional to the difference in the solubility parameters of the blocks PSF/PDMS ($\delta=21.7$ and 14.7). The PSF-PDMS block copolymers showed one T_g at -123°C which is identical to that of the PDMS precursor oligomers and the second T_g is

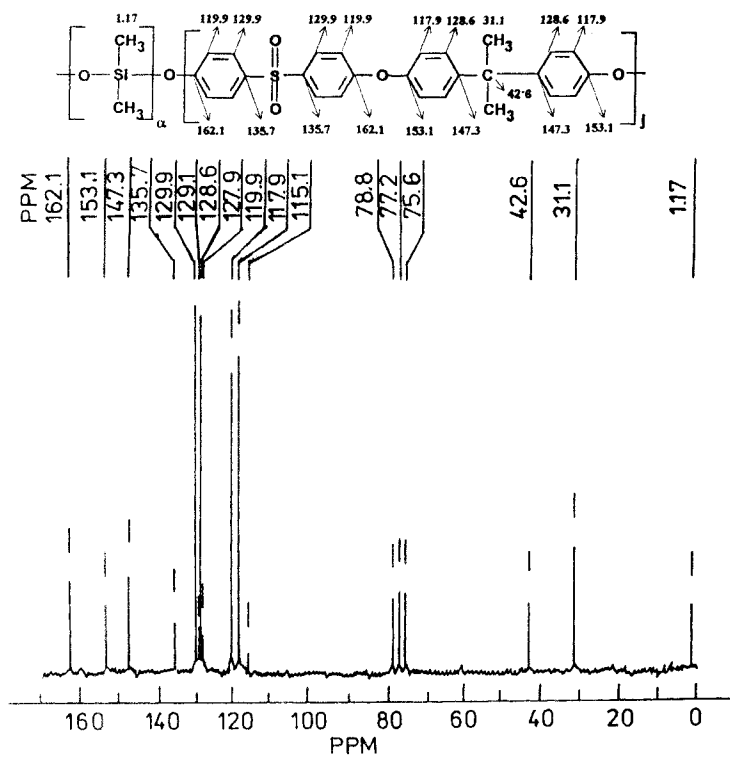


Figure 3. ^{13}C -NMR spectra of PSF-PDMS in CDCl_3 .

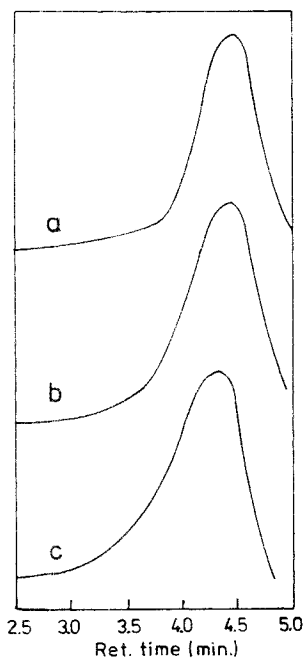


Figure 4. GPC traces for Cl-PDMS (a), H-PDMS (b) and PSF-PDMS (c)

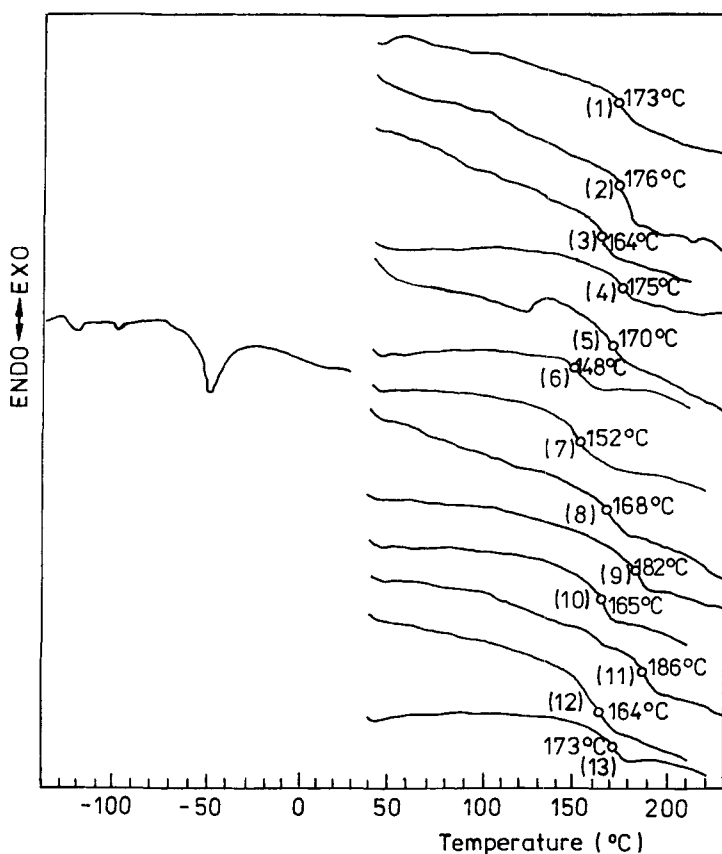


Figure 5. DSC traces of PSF-PDMS block copolymers (run II).

observed for all samples in the temperature range 150-180°C and corresponds to the PSF oligomers.

The thermal stability of the PSF-PDMS block copolymers was studied by thermogravimetric (TGA) and differential thermal (DTA) analysis. The samples were heated at a constant temperature rate of 12°/min. in air. The initial decomposition temperatures and the temperature % weight loss were determined from the thermograms and are listed in Table 4.

CONCLUSIONS

Polysulfone-polidimethylsiloxane block copolymers (PSF-PDMS) with Si-O-C intersegment linkages were prepared by condensation reactions of hydroxy-

TABLE 4. TGA Analysis of PSF-PDMS Block Copolymers.

Sample	IDT* (°C)	TGA temperature (°C) for various % decompositions				
		10	20	30	40	50
P ₁	185	425	464	488	532	578
P ₂	368	482	500	512	522	560
P ₃	140	444	469	523	578	595
P ₄	158	471	498	512	543	597
P ₅	168	413	472	498	544	570
P ₆	173	439	483	502	515	548
P ₇	275	450	489	506	530	573
P ₈	152	336	433	482	508	521
P ₉	108	430	482	503	518	530
P ₁₀	152	456	496	510	521	572

* - IDT (°C) is the initial decomposition temperature determined from original thermograms (1% weight loss).

telechelic polysulfone with Si-H or Si-Cl terminated polydimethylsiloxanes in Bz-Cl catalyzed by dibutyltin dilaurate or piperidine. The PSF-PDMS block copolymers were characterized by GPC, IR, ¹H-NMR, ¹³C-NMR and DSC analysis. The block copolymers were found to display microphase separation. The TGA data indicate a better thermal stability for the synthesized PSF-PDMS block copolymers.

REFERENCES

- [1] A. Noshay and J. E. McGrath, *Block Copolymers Overview and Critical Survey*, Academic Press, New York, 1977, p. 403.
- [2] I. Yilgör and J. E. McGrath, *Polysiloxane Containing Copolymers: A Survey of Recent Developments*, Berlin Verlag Akad., 1988, p. 1-86.
- [3] A. Noshay, M. Matzner, and C. N. Merriam, *J. Pol. Sci., A-1*, 9, 3147 (1971).

- [4] A. Noshay, M. Matzner, and C. N. Merriam, *Polym. Prepr.*, 12(1), 247 (1971).
- [5] L. M. Robeson, A. Noshay, M. Matzner, and C. N. Merriam, *Angew. Makromol. Chem.*, 29/30, 47 (1973).
- [6] A. Noshay and M. Matzner, *Angew. Makromol. Chem.*, 37, 215 (1974).
- [7] M. Matzner, A. Noshay, L. M. Robeson, C. N. Merriam, R. Barclay Jr., and J. E. McGrath, *Appl. Polym. Symp.*, 22, 143 (1973).
- [8] B. C. Auman and V. Percec, *Polym. Prepr.*, 27(1), 320 (1986).
- [9] Y. Nagase, S. Mori, and K. Matsui, *Polymer*, 30, 1931 (1989).
- [10] D. Giurgiu, V. Hamciuc, E. Butuc, V. Cozan, A. Stoleriu, M. Marcu, and C. Ionescu, *J. Appl. Polym. Sci.*, 59, 1507 (1996).
- [11] V. Hamciuc, D. Giurgiu, E. Butuc, M. Marcu, C. Ionescu, and L. Pricop, *Polym. Bull.*, 37, 329 (1996).
- [12] A. A. Collyer, D. H. Clegg, M. Morris, D. G. Parker, G. W. Wheatley, and G. C. Corfield, *J. Polym. Sci., Part A: Polym. Chem.*, 29, 193 (1991).
- [13] D. Giurgiu, V. Hamciuc, N. Chelaru, and L. Pricop, *Rom. Pat. 146195* (1980).
- [14] E. G. Rochow, *An Introduction to the Chemistry of Silicones*, 2nd Ed., J. Wiley & Sons Inc., 1951, p. 160.
- [15] R. Wiswanathan, B. C. Johnson, and J. E. McGrath, *Polymer*, 25(12), 1827 (1984).

Received September 25, 1997

Revision received December 16, 1997